

## ID READER – (IDAC)

The DKI ID Reader (IDAC) is part of an access control system which incorporates iButton and contact less Smart Card technology, providing a simple and secure way of identifying a person or vehicle. The IDAC is housed in a small enclosure suitable for indoor and outdoor applications.

### Uses

The DKI IDAC is designed to be used as a security card reader at automatic gates and doors. It is also used to initiate document production on Terminal and Depot automation systems.

### ID Readers

ID media can be either Contactless Smart Card or iButton technology.

**iButtons** are a computer chip with a globally unique ID mounted in a small hermetically 16mm sealed stainless steel case.

iButtons are not affected by temperature variations or magnetic fields.



**Contactless Smart Card** combines the non contact reading of proximity with the power and heightened security of smart card technology. Each card is secured by a unique key created from the card serial number, the key database, and a secure algorithm.



### Output

A voltage free relay contact is provided to interface to the external Gate/Door mechanism. This output is switched on for approx. 2 seconds when a valid card is read.

### Display

The DKI IDAC consists of status/instruction 4 LED displays to the end user:

- ON - Indicates the reader is functioning
- ID1 - Prompts for personnel ID
- ID2 - Prompts for vehicle ID
- ACK - Indicates authorized access

### Full Duplex Communications Port

One full duplex serial port is provided for communications to the host computer. In Omega 3000 applications this is Main Omega 3000 computer.



iButton

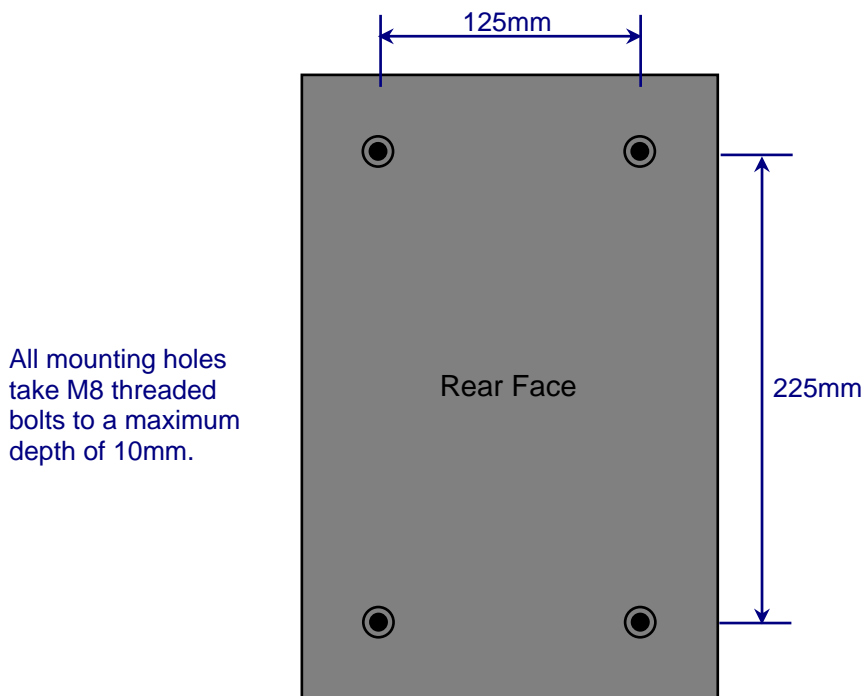
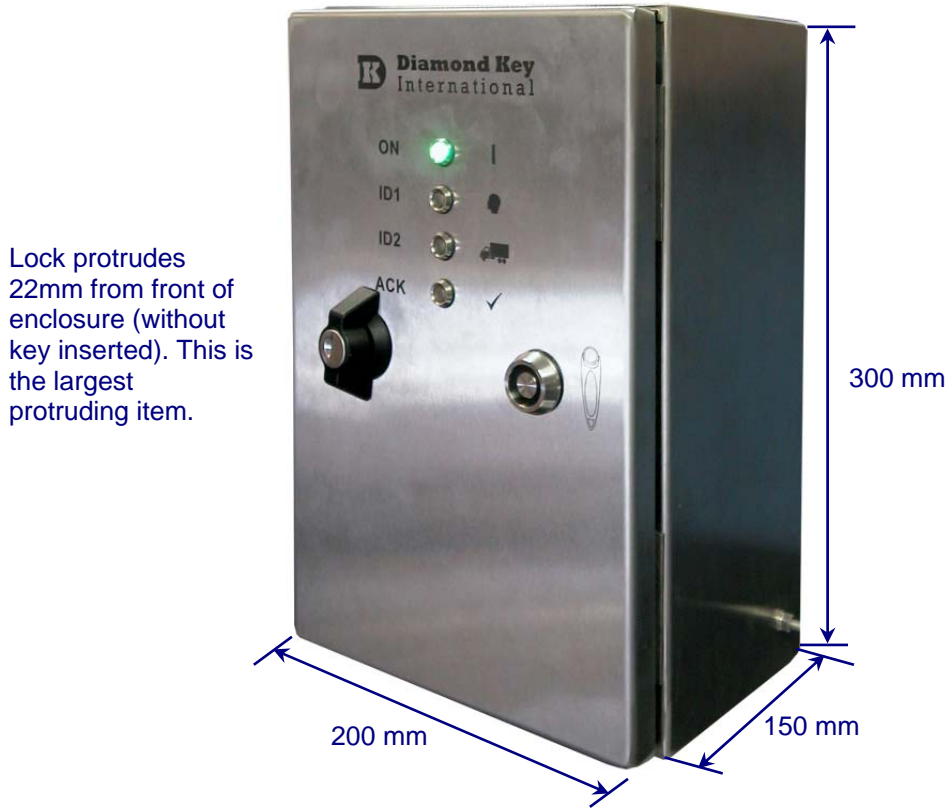


Proximity Card Reader



Magnetic Card Reader

**Dimensions**



**Relay Contact**

Normally open single pole, single throw

Rating: 10A @ 240 VAC or 30 VDC

**Environmental Specifications**

Temperature range: -10 - 60° C

Ingress Protection: IP66

**Power Supply**

240 VAC

Power Consumption: 5 Watts (rms)

**IDAC Part Numbering System**

<b>Part Number</b>	<b>Communication Media</b>	<b>ID Media</b>
IDAC-RS232-I	RS232	i-Button Reader
IDAC-FO-I	Fibre Optic	i-Button Reader
IDAC-RS232-P	RS232	Proximity Reader
IDAC-FO-P	Fibre Optic	Proximity Reader
IDAC-RS232-IM	RS232	i-Button Reader & Magnetic Card
IDAC-FO-IM	Fibre Optic	i-Button Reader & Magnetic Card
IDAC-RS232-D	RS232	i-Button Reader & Proximity Reader
IDAC-FO-D	Fibre Optic	i-Button Reader & Proximity Reader